

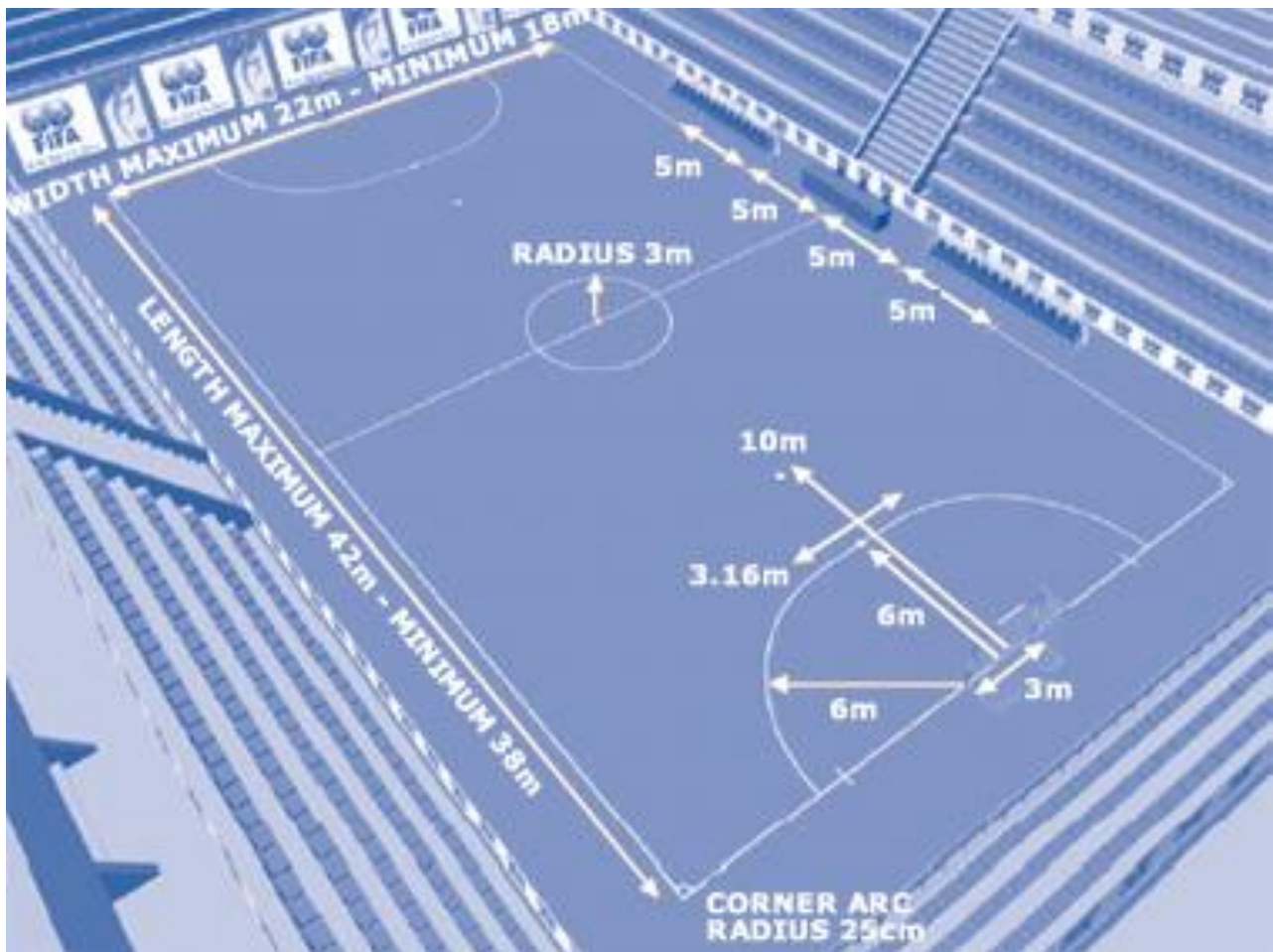
# FUTSAL PITCH



**Length:** minimum 25 meters, maximum 42 meters      **SOIS: 32 m**

**Width:** minimum 16 meters, maximum 25 meters      **SOIS: 25 m**

# PENALTY AREA

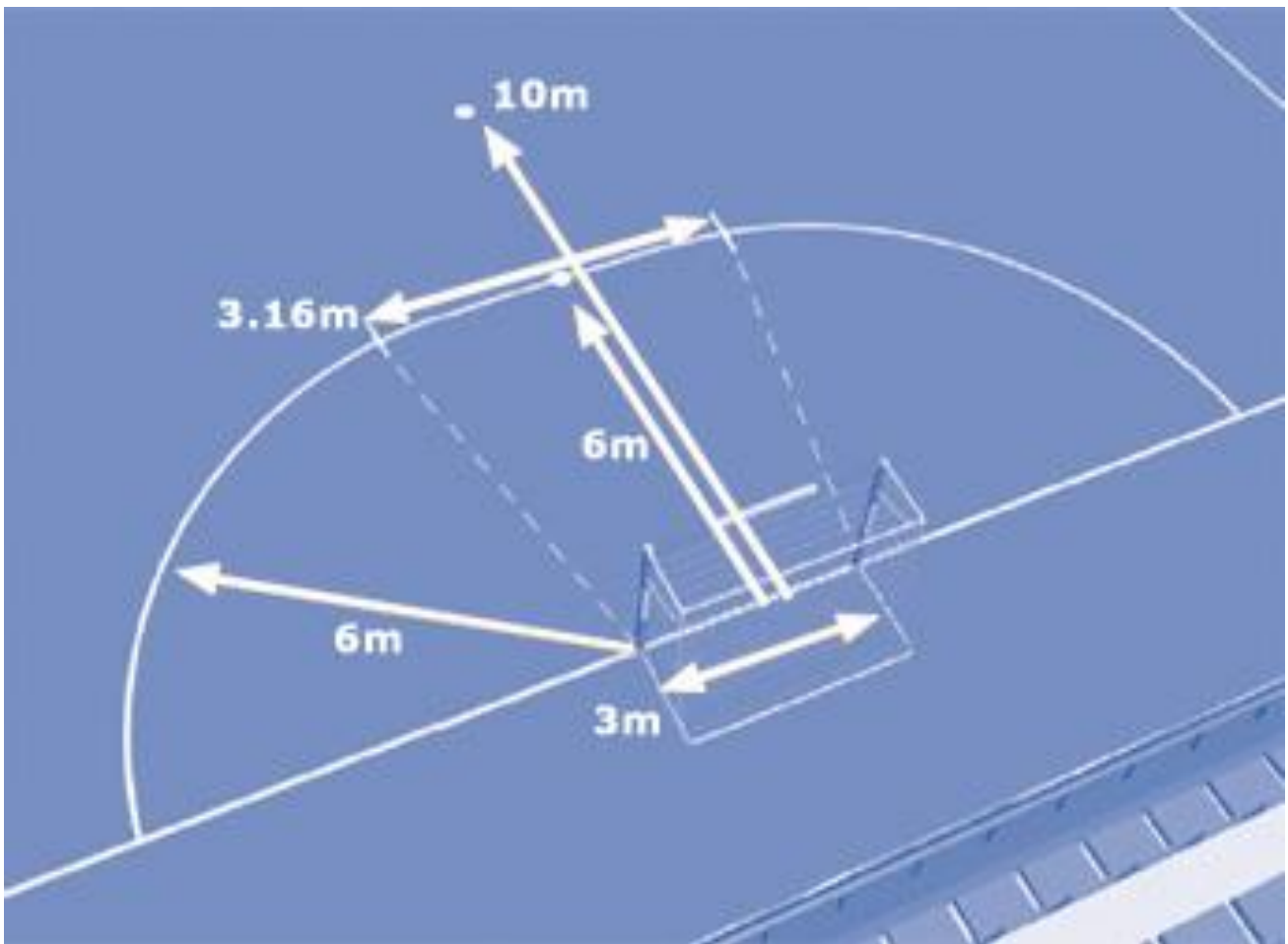


**The penalty area shall be marked out as follows:**

Quarter circles, with a **6-m radius**, shall be drawn centered on the outside of each goal post. The quarter circles shall be drawn from the goal line to meet two imaginary lines 6 m in length drawn at right angles to the goal line from the outside of the goalpost. The upper part of each quarter circle shall be joined by a **3.16-m line** running parallel to the goal line between the goalposts.

The curved line marking the outer limit of the penalty area is known as the penalty area line.

# PENALTY MARKS



## Penalty mark

A mark shall be drawn **6 meters** from the midpoint between the goalposts and equidistant from them.

## Second penalty mark

A second mark shall be drawn on the pitch **10 meters** from the midpoint between the goalposts and equidistant from them.

## Corner arc

Quarter circle with radius of 25 cm from each corner shall be drawn.

# GOAL

